

## PRODUCTS

Sanitary Systems » **TECE sanitary modules**

Sanitary Systems

TECEone

TECElux

TECE flush plates

TECE sanitary modules

TECEprofil

TECEbox

TECEbox 8

Plumbing Framework

Drainage Systems

Pipe Systems

Exhibition samples

### TECE sanitary modules



TECEprofil



TECEbox



TECEbox 8

## PRODUCTS

Sanitary Systems » TECE flush plates » **Toilet flush plate**

### Sanitary Systems

TECEone

TECElux

TECE flush plates

Toilet flush plate

TECElux Mini

TECEsquare

TECEloop

TECEplanus

TECEplanus electronic  
flushing systems

TECEnow

TECEambia

TECEbase

Accessories

Urinal flush plate

TECE sanitary modules

Plumbing Framework

Drainage Systems

Pipe Systems

Exhibition samples

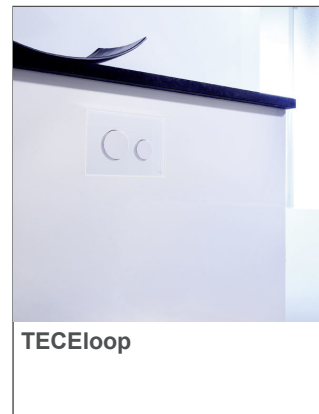
### Toilet flush plate



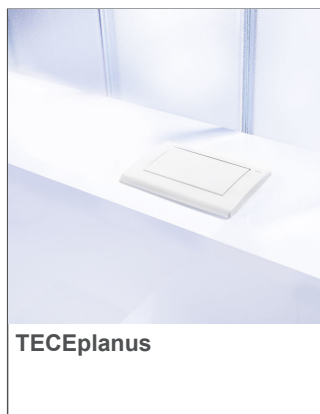
TECElux Mini



TECEsquare



TECEloop



TECEplanus



TECEplanus electronic  
flushing systems



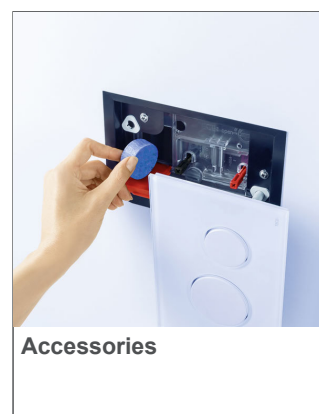
TECEnow



TECEambia



TECEbase



Accessories



## TECE data sheet

Status as of 14.01.2018

---



### TECEbox brick-wall cistern, front actuation, installation height 1060 mm

Article number: 9370000

DU 1: 1 pc.  
DU 2: 10 pc.  
DU 3: 60 pc.

---

#### Description:

For bricked-in pre-wall installation in front of a solid wall. For TECE flush plates and flush handle.

Consisting of:

- TECE brick-wall cistern
- Safety tank made of impact-resistant plastic
- Cistern completely pre-assembled and sealed
- Cistern connection with 1/2" female thread
- 10 litre tank volume; 6 litre preset standard flush volume, 4.5/7.5/9-litre flush volume can be set as an option at any time; 3 litre partial flush volume with dual-flush system. Residual volume usable for immediate flush cleaning.
- Insulated against condensation water
- Can be set as a single or dual-flush cistern depending on the flush plate used.
- Tested to DIN EN 14055
- Fittings group 1 in accordance with DIN 4109
- Low-noise hydraulic filling valve
- Galvanised steel frame
- Two M 12 retaining bolts and nuts, 180 or 230 mm fixing centres
- Toilet drain bend DN 90 with connector DN 90/100, made of PP
- connector is also suitable for horizontal installation
- DN 90 toilet connection set incl. protective plug

---

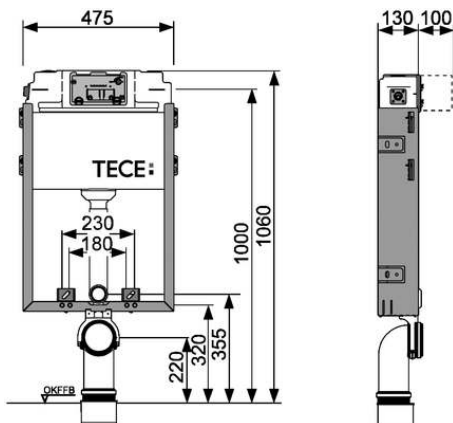
#### Sales data:

Shorttext 1:	TECEbox brick-wall cistern, h 1060 mm
Shorttext 2:	Actuation from the front
Commodity group:	903
Product group:	2009030010
Discount group:	3

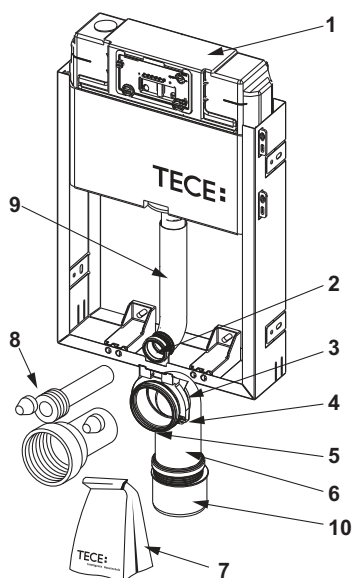
# TECE data sheet

Status as of 14.01.2018

## Dimensional drawings:



## Spare parts:



- |    |         |  |
|----|---------|--|
| 1  | 9820103 | Cistern 1120 mm, front actuation                                 |
| 2  | 9820015 | Flush pipe seal  |
| 3  | 9820048 | Toilet drain bend holder   |
| 4  | 9820049 | Bracket toilet drain bend holder                                 |
| 5  | 9820139 | Seal for toilet drain bend/adaptor                               |
| 6  | 9820135 | Toilet drain bend DN 90 (PP)                                     |
| 7  | 9820051 | By-pack for brick-wall-mounted cistern (mounting material, etc.) |
| 8  | 9820057 | Connection set DN 90 for toilet                                  |
| 9  | 9820011 | Flush pipe with O-ring, length 269 mm                            |
| 10 | 9820136 | Adapter DN 90/DN 100 (PP)  |

## TECE data sheet

Status as of 14.01.2018

---



**TECEbox plus brick-wall cistern, front actuation, with front panels made of glass-fibre light concrete plate, installation height 1110 mm**

Article number: 9371000

**DU 1:** 1 pc.

**DU 2:** 10 pc.

**DU 3:** 60 pc.

---

### Description:

For installation in a bricked-in pre-wall. Closed surface suitable for tiling. For TECE flush plates and flush handle.

Consisting of:

- TECE brick-wall cistern
- Safety tank made of impact-resistant plastic
- Cistern completely pre-assembled and sealed
- Cistern connection with 1/2" female thread
- 10 litre tank volume; 6 litre preset standard flush volume, 4.5/7.5/9-litre flush volume can be set as an option at any time; 3 litre partial flush volume with dual-flush system. Residual volume usable for immediate flush cleaning.
- Insulated against condensation water
- Can be set as a single or dual-flush cistern depending on the flush plate used.
- Tested to DIN EN 14055
- Fittings group 1 in accordance with DIN 4109
- Low-noise hydraulic filling valve
- Galvanised steel frame
- Two M 12 retaining bolts and nuts, 180 or 230 mm fixing centres
- Toilet drain bend DN 90 with connector DN 90/100, made of PP
- Connector is also suitable for horizontal installation
- DN 90 toilet connection set incl. protective plug
- Includes preassembled height adjustable supporting feet

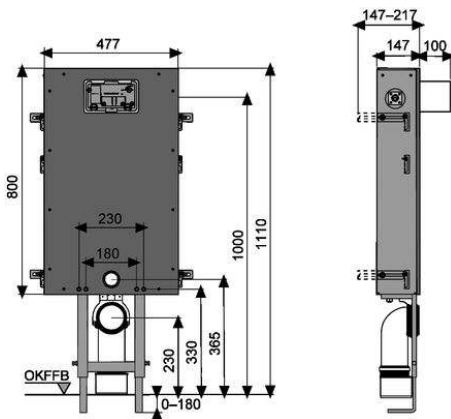
# TECE data sheet

Status as of 14.01.2018

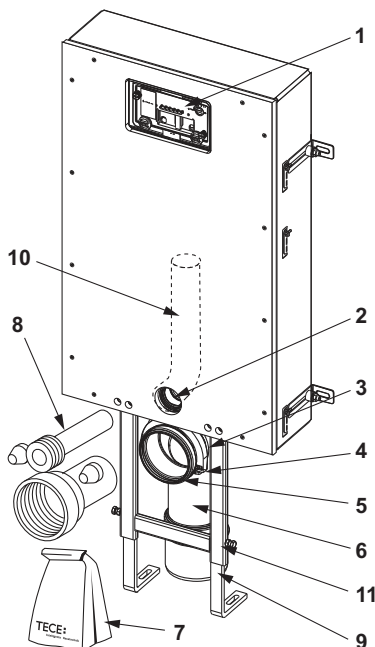
## Sales data:

Shorttext 1: TECEbox plus brick-wall cistern, h. 1110  
Shorttext 2: Actuation from the front  
Commodity group: 903  
Product group: 2009030010  
Discount group: 3

## Dimensional drawings:



## Spare parts:



- |    |         |  |
|----|---------|--|
| 1  | 9820103 | Cistern 1120 mm, front actuation                                 |
| 2  | 9820015 | Flush pipe seal  |
| 3  | 9820048 | Toilet drain bend holder   |
| 4  | 9820049 | Bracket toilet drain bend holder                                 |
| 5  | 9820139 | Seal for toilet drain bend/adaptor                               |
| 6  | 9820135 | Toilet drain bend DN 90 (PP)                                     |
| 7  | 9820051 | By-pack for brick-wall-mounted cistern (mounting material, etc.) |
| 8  | 9820057 | Connection set DN 90 for toilet                                  |
| 9  | 9820073 | Bases  |
| 10 | 9820011 | Flush pipe with O-ring, length 269 mm                            |
| 11 | 9820136 | Adapter DN 90/DN 100 (PP)  |

## TECE data sheet

Status as of 14.01.2018

---



### TECEbox brick-wall cistern, installation height 820 mm, top or front actuation

Article number: 9375000

DU 1: 1 pc.  
DU 2: 10 pc.  
DU 3: 60 pc.

---

#### Description:

For bricked-in pre-wall installation in front of a solid wall, depth-adjustable. For TECE flush plates and flush handle.

Consisting of:

- TECE brick-wall cistern, hydraulically optimised for low installation heights
- Depending on assembly, it can be used with top or front flush controls.
- 6 litre cistern to DIN EN 14055
- 4.5/7.5/9-litre flush volume can be set as an option at any time; 3 litre partial flush with dual-flush system. Residual volume usable for immediate flush cleaning.
- Front tile base made of 30 mm structural board
- Toilet drain bend DN 90 with connector DN 90/100, made of PP
- Connector is also suitable for horizontal installation
- DN 90 toilet connection set incl. protective plug

---

#### Sales data:

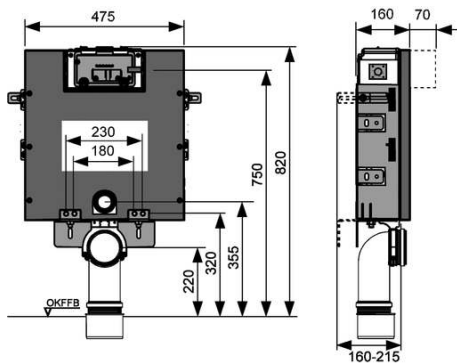
Shorttext 1:	TECEbox brick-wall cistern, h 820 mm
Shorttext 2:	Top or front actuation
Commodity group:	903
Product group:	2009030010
Discount group:	3



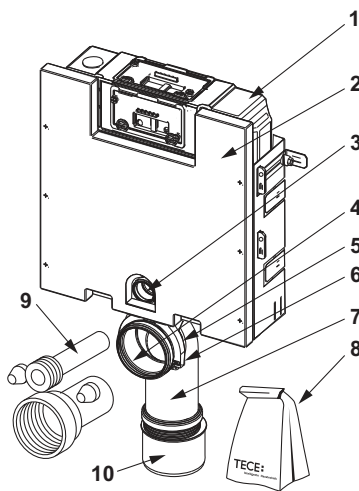
# TECE data sheet

Status as of 14.01.2018

## Dimensional drawings:



## Spare parts:



- |    |         |   |
|----|---------|---|
| 1  | 9820100 | Cistern 820 mm, front or top actuation              |
| 2  | 9820050 | Structural board with screws                        |
| 3  | 9820015 | Flush pipe seal                                     |
| 4  | 9820139 | Seal for toilet drain bend/adaptor                  |
| 5  | 9820048 | Toilet drain bend holder                            |
| 6  | 9820049 | Bracket toilet drain bend holder                    |
| 7  | 9820135 | Toilet drain bend DN 90 (PP)                        |
| 8  | 9820043 | By-pack for toilet module (mounting material, etc.) |
| 9  | 9820057 | Connection set DN 90 for toilet                     |
| 10 | 9820136 | Adapter DN 90/DN 100 (PP)                           |