



The Caroma Puro Range



caroma.com.au

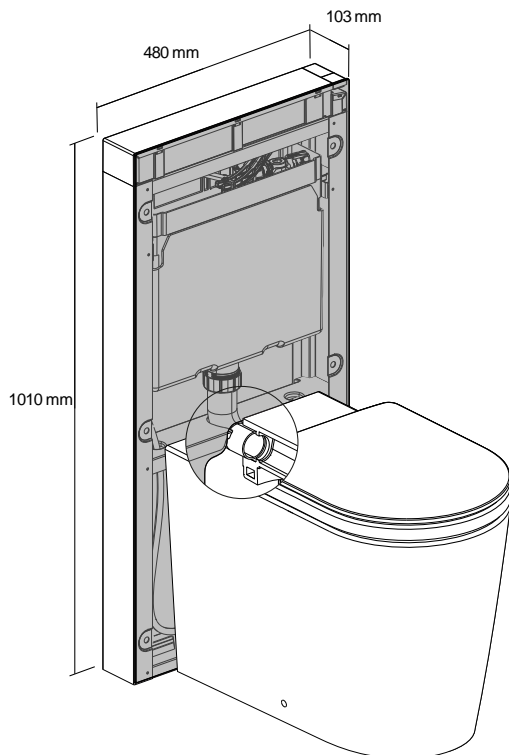
inspire
Caroma

The New Caroma Puro Range

A new form of simple elegance, the Caroma Puro Range balances sophisticated design with technical ingenuity, offering simple interaction between bathrooms and cistern innovation. The fully assembled cistern can be installed without impacting walls or structural elements of a bathroom as existing water and waste connection points can be utilised. Compatible with Caroma back inlet pans, the cistern is available in four stylish, neutral colours – Mochie Midnight, Pure Snowflake, Chocolate Haze and Definitely Beige.

Features

- **Fast installation** – the cistern comes fully assembled and ready to be connected to existing drains and water supply connections, and there is no need to go behind-the-wall.
- **Easy maintenance** – the valves are easily accessible through the removable top section which easily clicks off and on.
- **Simple design solution** – no need for structural modifications in most bathrooms – saving time and money. Caroma Puro can be used for both domestic and commercial bathrooms.
- **Premium quality and design** – constructed from high quality materials including aluminium and safety glass. The cistern neatly conceals unsightly water connection and waste drain areas, and provides the benefit of an extra shelf for toiletries.



The Puro Range is available in the following colours:



Mochie Midnight
Urbane Wall Faced Invisi 745100MM
Liano Wall Faced Invisi 745200MM
Liano Easy Height Wall Faced Invisi 745300MM



Definitely Beige
Urbane Wall Faced Invisi 745100DB
Liano Wall Faced Invisi 745200DB
Liano Easy Height Wall Faced Invisi 745300DB



Chocolate Haze
Urbane Wall Faced Invisi 745100CH
Liano Wall Faced Invisi 745200CH
Liano Easy Height Wall Faced Invisi 745300CH



Pure Snowflake
Urbane Wall Faced Invisi 745100PS
Liano Wall Faced Invisi 745200PS
Liano Easy Height Wall Faced Invisi 745300PS

The Puro Range is suitable for a range of applications including:



Office



Hotel



High Rise Residential



Medium Density Residential



Restaurants



Residential

inspire
Caroma

For more information call **13 14 16** or visit www.caroma.com.au

©Copyright 2014. Caroma Industries Ltd. ABN 35 000189 499. All rights reserved. Material and design specifications subject to change without notice. Product colour reproduction is as near to actual product colour as production methods allow. Warning: Products in this flyer are the subject of registered designs and patents. ® is a registered trademark of Caroma Industries. This flyer relates to Australian products only and some product, design or specifications may differ in other countries.

 **GWA**
Bathrooms & Kitchens